

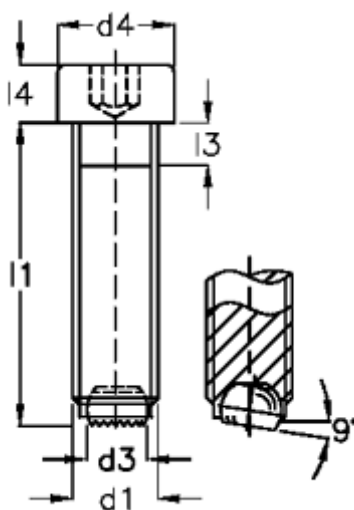
Data Sheet



Article number: 2092770611C

Description: E+G Screws with ball
GN 606-M16-40-VRN

Measures



d1	= M16
d2	= 12.0
d3	= 10.7
d4	= 24
Internal hexagon	= 14.0
l1	= 40
l3	= 6.0
l4	= 16